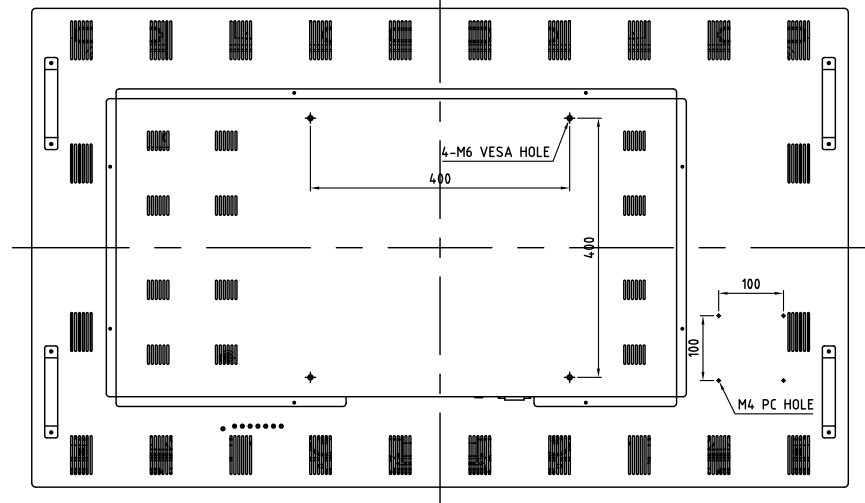
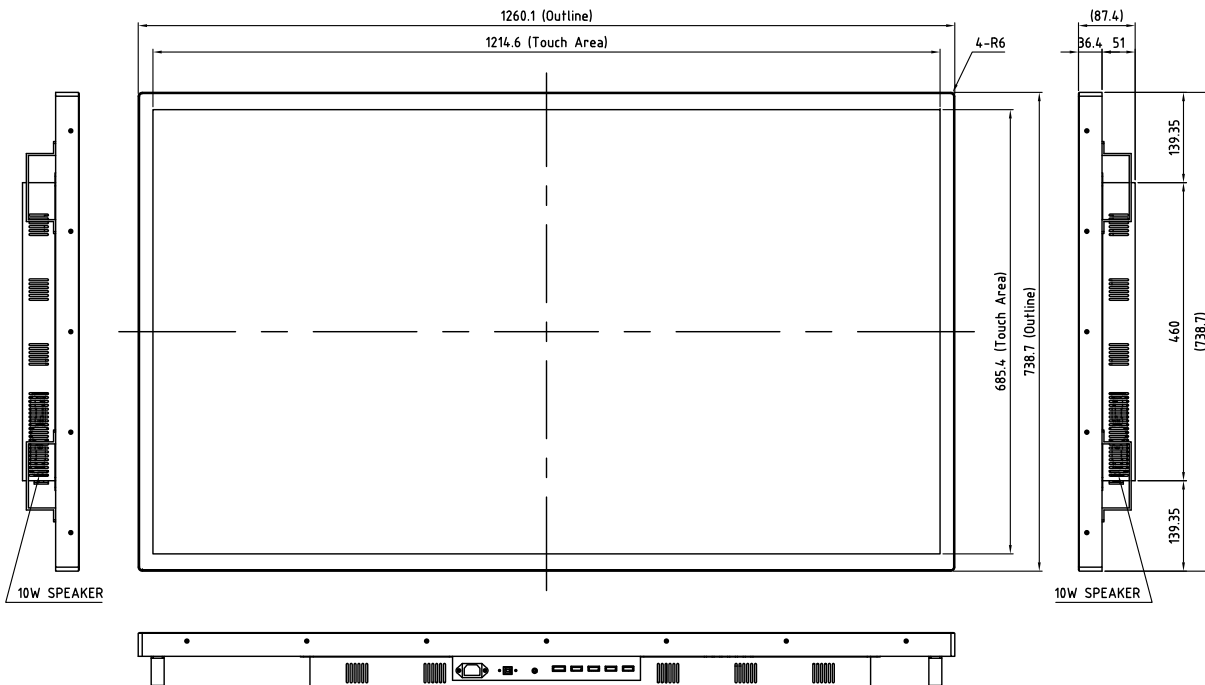
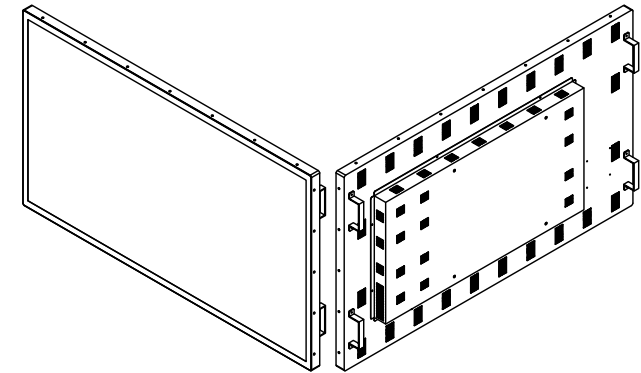
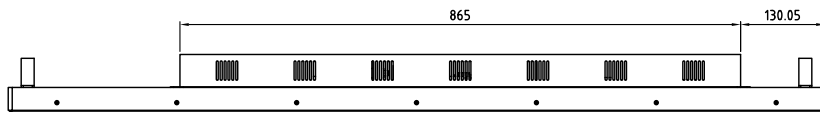


개정 번호 REVISION NO.	개정 내용 DESCRIPTION	날짜 DATE
V 1.0	Issued First	2017.10.20



Note

1. 본 도면은 계획도이며 성능 향상을 위하여 다소 변경될 수도있습니다.
This print is estimated and for an efficiency improvement it could be Changed.

Model No.	NEP550U-V2					Product No.	NEP550U-PLAX050B4S3-TMAG-V2				
Part No.	-					Q'ty	-				
TOLERANCE (±MM)	Dim.	0	6	30	120	400	1000	PROJECTILE SCALE	UNIT	SIZE	DATE
	Class	~6	~30	~120	~400	~1000	~2000				
	A	0.05	0.1	0.15	0.2	0.3	0.5				
	B	0.1	0.2	0.3	0.5	0.8	1.2				
3RD ANGLE PROJECTION	0.3	0.5	0.8	1.2	2	3	1/4	mm	A1	2017.10.20	
Customer Approval	DESIGNED	CHECKED		APPROVED		DRAWING NAME	NEP550U-V2 SET				
	MJ CHOI					DRAWING NO.	NEP550U-V2 - 001				
						SHEET NO.	SHEET 1 OF 1				